

Mullard

ACORN TRIODE

4671

Heater	Vf =	6.3 V
	If =	0.15 A
Capacities	Cag =	1.4 uuF
	Cgk =	1.0 uuF
	Cak =	0.6 uuF
	Cgf =	0.3 uuF

Operating Conditions as H.F. Amplifier

Va	90	135	180	V
Ia	2.5	3.5	4.5	mA
Vg	-2.5	-3.75	-5	V
G	25	25	25	
S (Ia = 2.5 mA)	1.7	-	-	mA/V
S (Ia = 3.5 mA)	-	1.9	-	mA/V
S (Ia = 4.5 mA)	-	-	2.0	mA/V
Ri (Ia = 2.5 mA)	14,700 ←	-	-	ohms
Ri (Ia = 3.5 mA)	-	13,200	-	ohms
Ri (Ia = 4.5 mA)	-	-	12,500	ohms

Operating Conditions as Oscillator

Va	180 V
Ia	7 mA
Ig	1.5 mA
Vg	-35 V
*Wc (λ = 5 m)	0.5 W

* Up to 300 Mc., the output decreases only slightly. Above this figure the output decreases with frequency.

Operating Conditions as Detector

	Anode Bend Detector	Leaky Grid Detector
Va	180	45 V
Vg	-7	0 V
Ra	0.25	- ohms
Rk	50,000	- ohms
Rg	-	1 - 5 megohms
Cg	-	250 uuF

4671

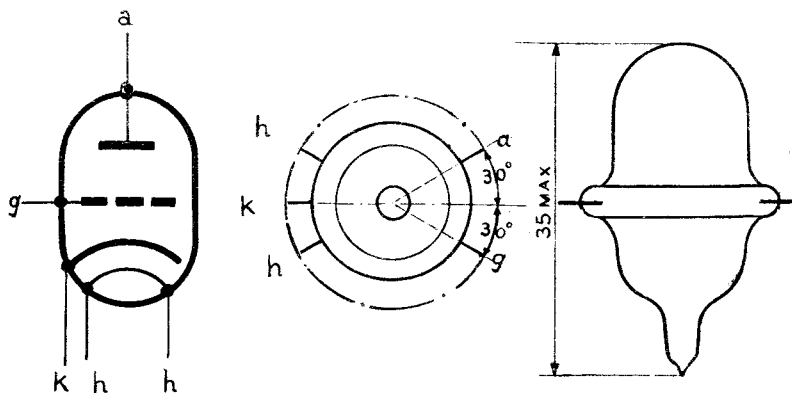
1340/1

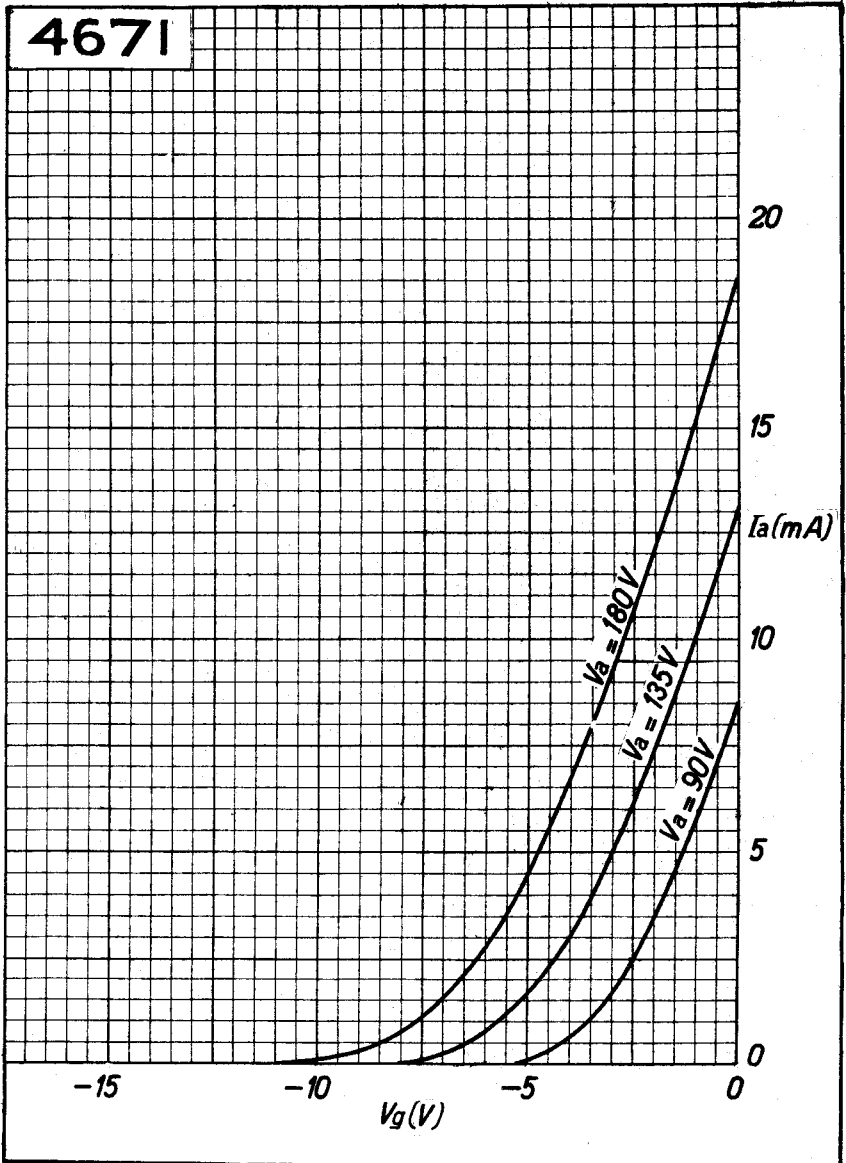
Limiting Values

Va max	180	V
Wa max	1.5	W
Ik max	10	mA
Vg max (Ig = + 0.3 uA)	-1.3	V
Ig max	2	mA
Rgl max	5	megohms
Vfk max	50	V
Rfk max	20,000	ohms

→ Damping	λ (m)	Zi (ohms)	Za (ohms)
	5	100,000	11,000
	7	45,000	11,000

Arrangement of electrodes and base connections.





4671

Mullard ACORN TRIODE

